

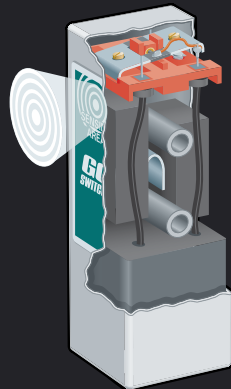


Proximity Limit Switch

The Proximity Limit Switch utilises magnetic switching to sense and trigger off ferrous metals.

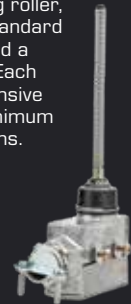
All components are sealed and protected within the rugged brass housing eliminating instances of mechanical failure.

The single sensing area which extends from one side of the enclosure detects ferrous materials within a range of 10mm. Using the Target Magnet this sensing range can be further extended to 90mm.



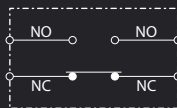
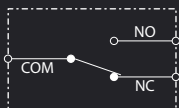
Multiple Lever Types

A wide selection of lever types are available in the Micro & Limit ranges including roller, double pivot roller, standard lever, spring lever, and a variety of plungers. Each actuator has an extensive service life with a minimum of 500,000 operations.



Circuitry

Single Pole Change Over, Double Make Double Break as well as Normally Open / Normally Closed circuitry is offered within the Micro & Limit ranges.



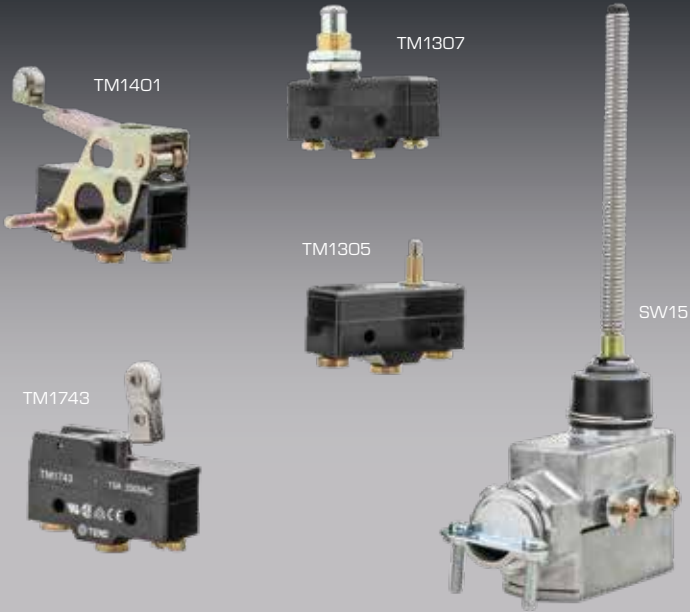


Micro & Limit Switches

Micro – TM Series	120
Limit – TZ-7 Series	124
Limit – TZ-9 Series	126
Limit – Proximity	127

Micro & Limit

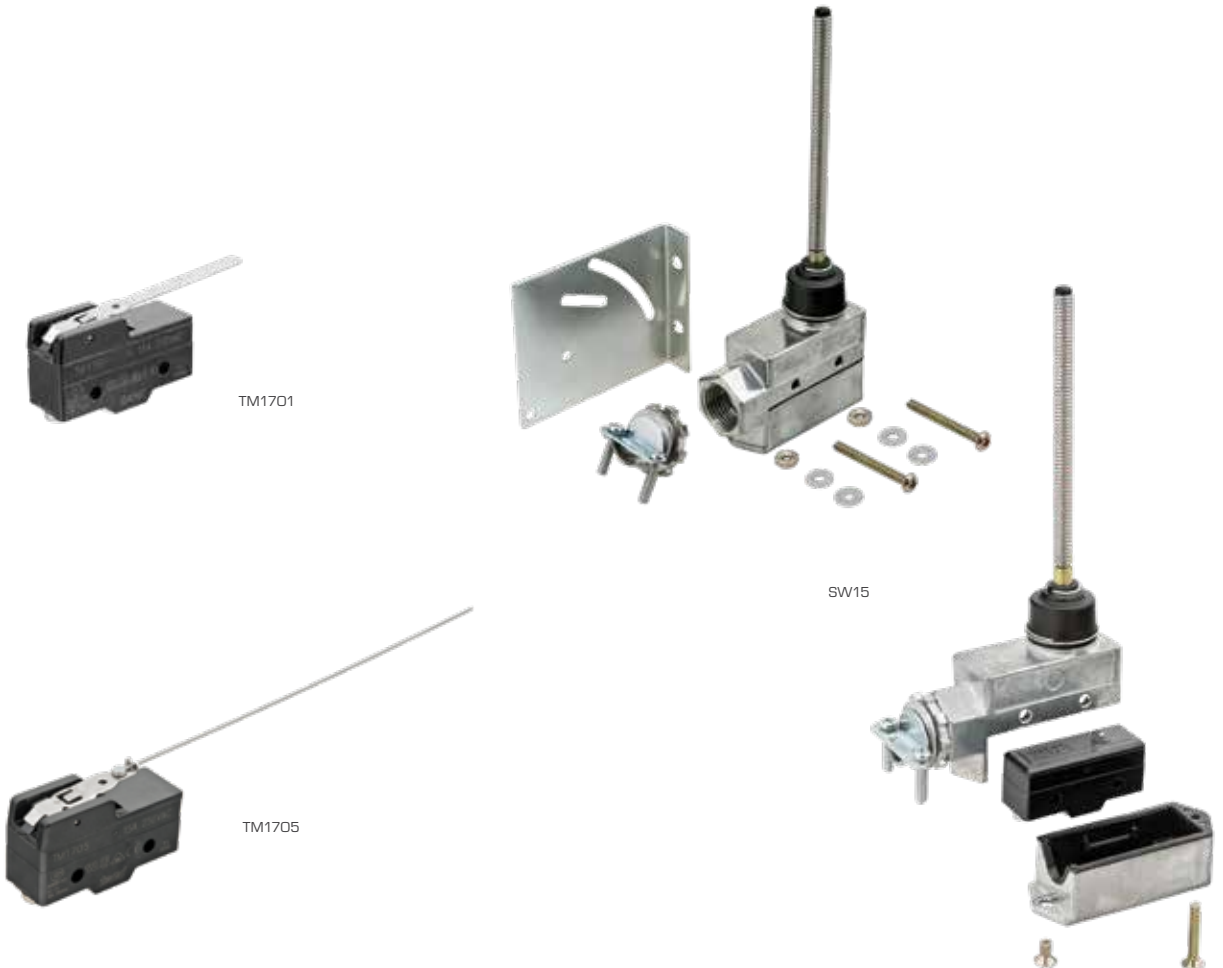
Micro – TM Series

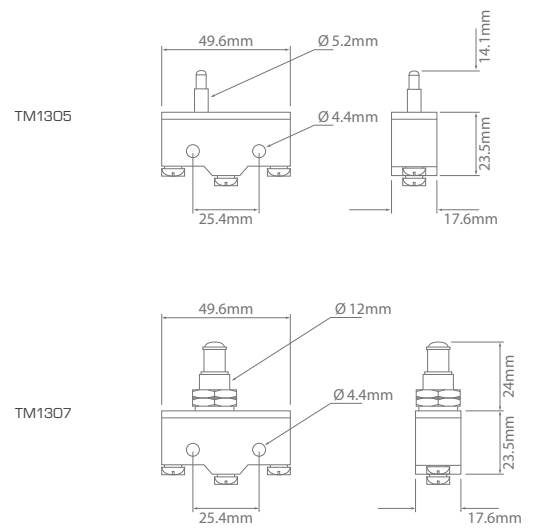
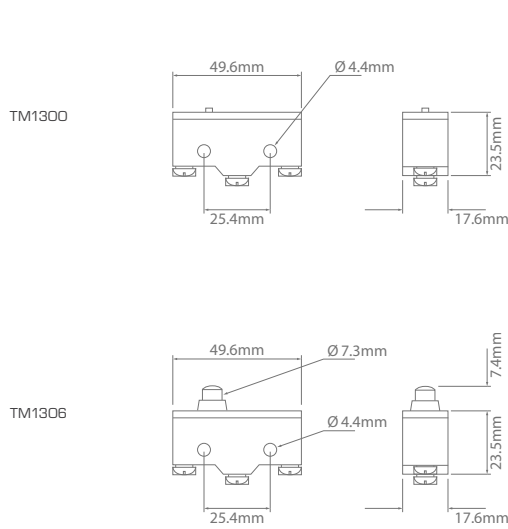


- Wide variety of actuators.
- High breaking capacity – 15A.
- Single Pole Change Over.
- Long life – 500,000 operations.



Voltage : 12–24V
Circuitry : SPCO (Single Pole Change Over)
Current Rating : 10A @ 12V, 5A @ 24V
Service Life : Min. 500,000 operations
Approvals : CE, CSA, UL, VDE

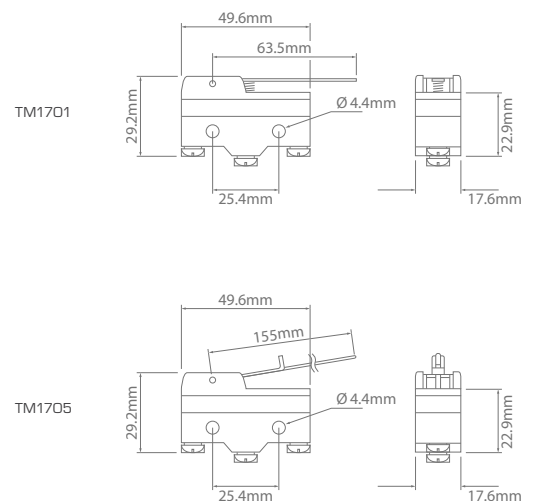
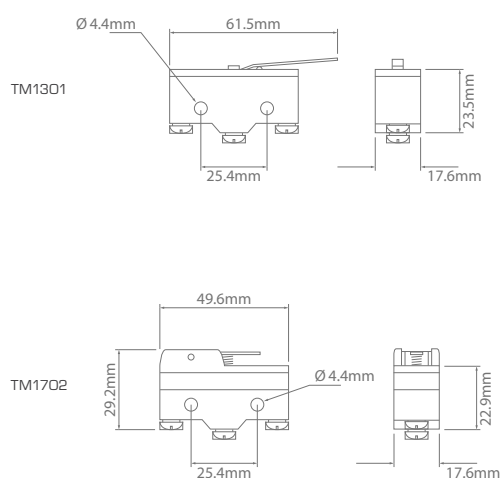




Micro – TM Series – Plunger

Part No.	Description
TM1300	Pin head plunger
TM1306	Short button plunger

Part No.	Description
TM1305	Slim plunger
TM1307	Long button plunger



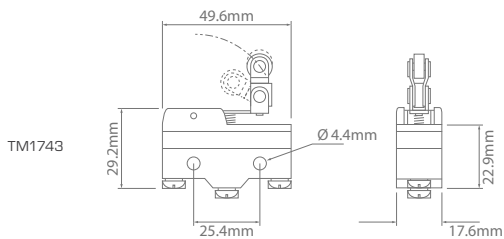
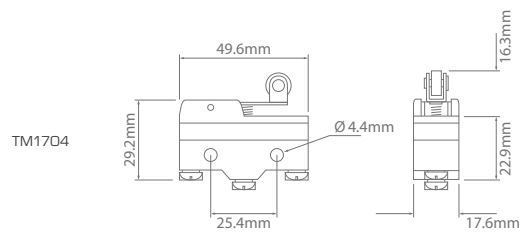
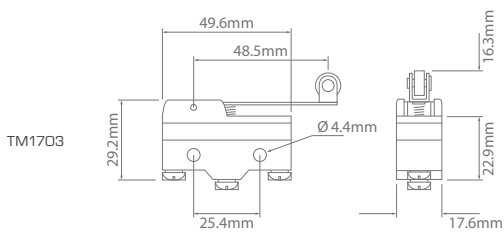
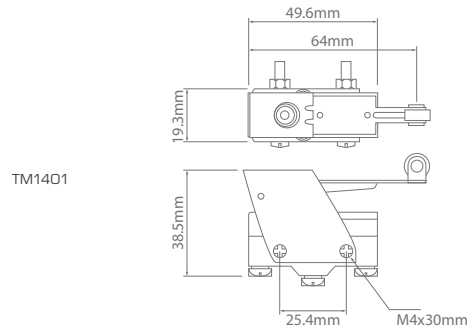
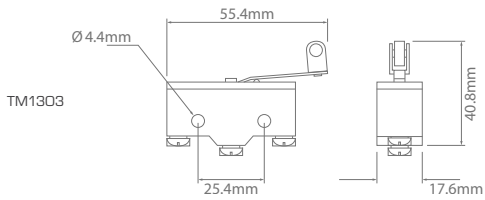
Micro – TM Series – Lever

Part No.	Description
TM1301	Pin head plunger with lever
TM1702	28mm lever

Part No.	Description
TM1701	63mm lever
TM1705	110mm wire lever



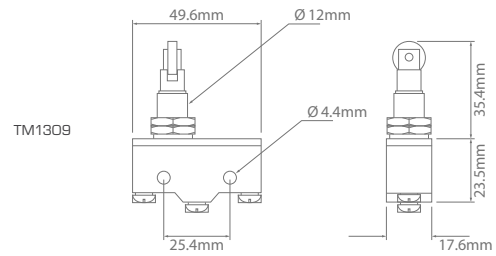
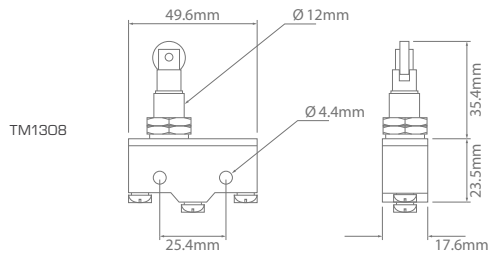
Micro & Limit



Micro – TM Series – Lever with Roller

Part No.	Description
TM1303	Pin head plunger with roller lever
TM1703	48mm lever with roller
TM1743	32mm double pivot roller lever

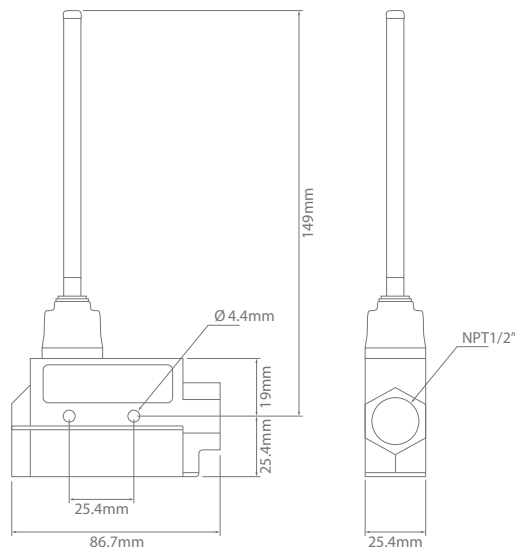
Part No.	Description
TM1401	60mm roller lever
TM1704	27mm lever with roller



Micro – TM Series – Plunger with Roller

Part No.	Description
TM1308	Button plunger with roller

Part No.	Description
TM1309	Button plunger with cross roller



Micro – TM Series – Heavy Duty Spring Lever

Part No.	Description
SW15	TM1300 with heavy duty spring lever casing



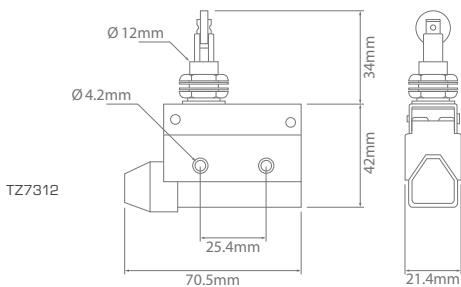
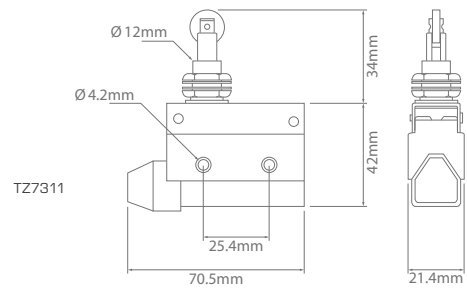
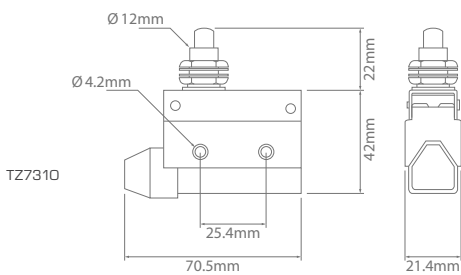
Micro & Limit

Limit – TZ-7 Series



- Environmentally sealed – IP65.
- High precision.
- Long life – 500,000 operations.
- Sealed with gasket diaphragm.
- Single Pole Change Over.

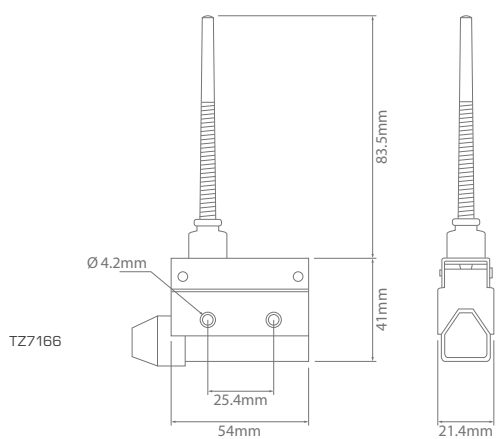
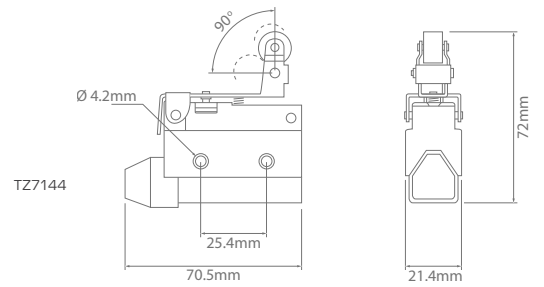
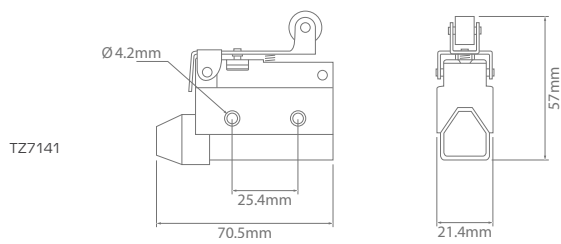
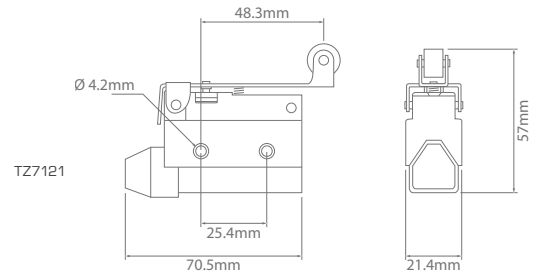
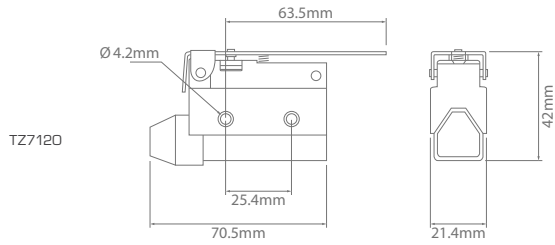
Voltage : 12–24V
Circuitry : SPCO (Single Pole Change Over)
Ingress Protection : IP65
Current Rating : 10A @ 12V, 5A @ 24V
Service Life : Min. 500,000 operations
Approvals : CE, UL



Limit – TZ-7 Series – Plunger

Part No.	Description
TZ7310	Long button plunger
TZ7312	Cross roller plunger

Part No.	Description
TZ7311	Button plunger with roller



Limit – TZ-7 Series – Lever

Part No.	Description
TZ7120	63.5mm lever
TZ7141	30mm roller lever
TZ7166	Polymer rod lever

Part No.	Description
TZ7121	48mm roller lever
TZ7144	30mm double pivot roller lever



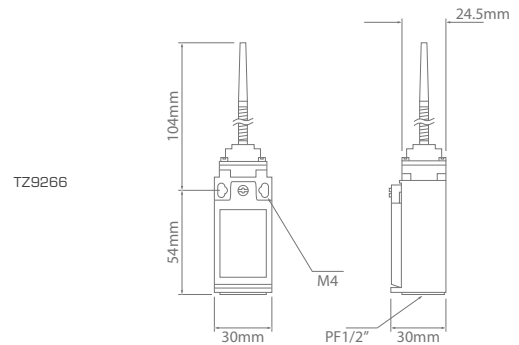
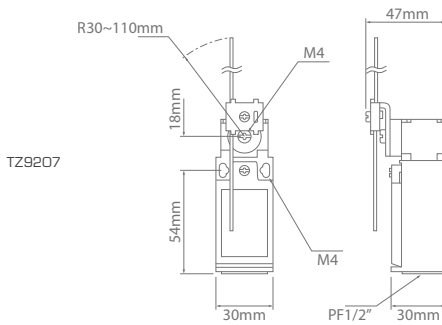
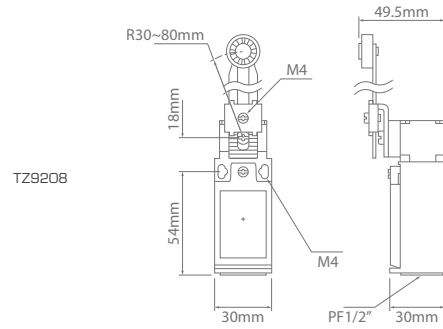
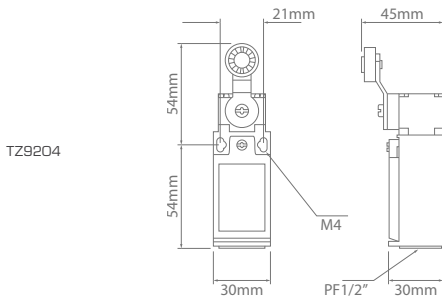
Micro & Limit

Limit – TZ-9 Series



- Environmentally sealed – IP65.
- Long life – 500,000 operations.
- Robust glass reinforced polymer.
- Smooth operation with greater over travel.
- Easy-to-wire design.
- Normally Open, Normally Closed.

Voltage : 12–24V
Circuitry : DMDB (Double Make Double Break)
Ingress Protection : IP65
Current Rating : 5A
Service Life : Min. 500,000 operations
Approvals : CE, UL



Limit – TZ-9 Series

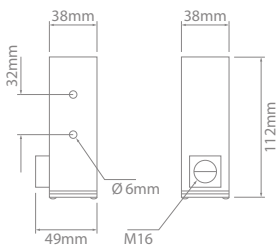
Part No.	Description
TZ9204	Angle adjustable roller lever
TZ9207	Height adjustable rod lever

Part No.	Description
TZ9208	Height adjustable roller lever
TZ9266	Polymer spring lever

- Simple, rugged brass body design.
- Long sensing ranges – up to 90mm using target magnet.
- Single Pole Double Throw or Double Pole Change Over models.
- Environmentally sealed to IP68, when used with similar rated conduit and fittings.



Voltage : 12–24V
Current Rating : 3A @ 24VDC
Contacts : Silver cadmium oxide, gold flashed
Body : Stainless Steel
Operating Temperature : -40°C to 105°C



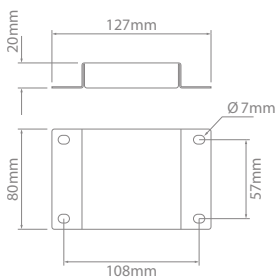
11-12110, 11-51118



11-12110



11-51118



AMC5

- Seesaw armature provides snap action and solid contact pressure, eliminating 'contact teasing' and 'contact chatter' in high vibration applications.
- Sensing range can be extended to 90mm using external target magnet.
- Permanent magnets never lose their strength.
- Rugged brass housing withstands physical abuse, moisture, and corrosives.
- Versatile gold flashed contact are suitable for high and low electrical loads, and can be wired AC or DC, N/O or N/C.
- Sealed contact chamber prevents moisture or dust from reaching the contacts
- Consumes no power to operate and has no current leakage or voltage drop.
- Potting fills the entire switch cavity, forming a barrier against moisture.

Limit – Proximity

Part No.	Circuitry	Sensing Range (mm)	Approvals	Circuitry
11-12110 NEW	SPDT (Single Pole Double Throw)	14	CSA General Purpose	
11-51118	DMDB (Double Make Double Break)	10	UL General Purpose	
AMC5	Mountable magnet – Extends sensing range to 90mm			

